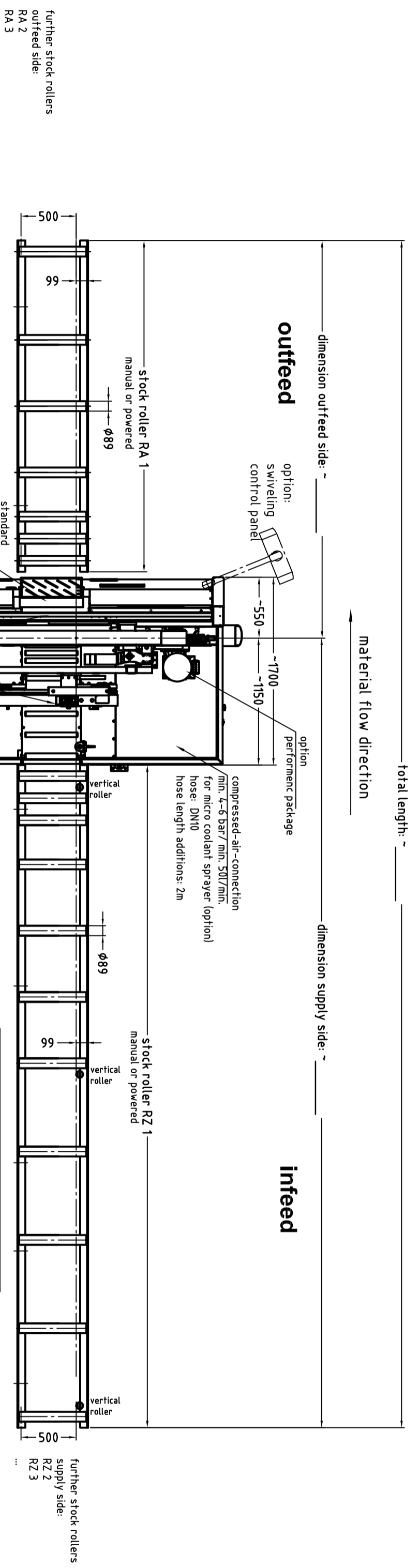


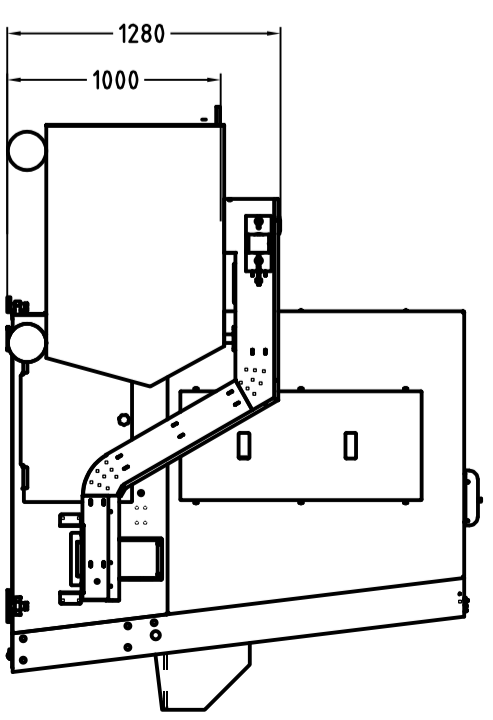
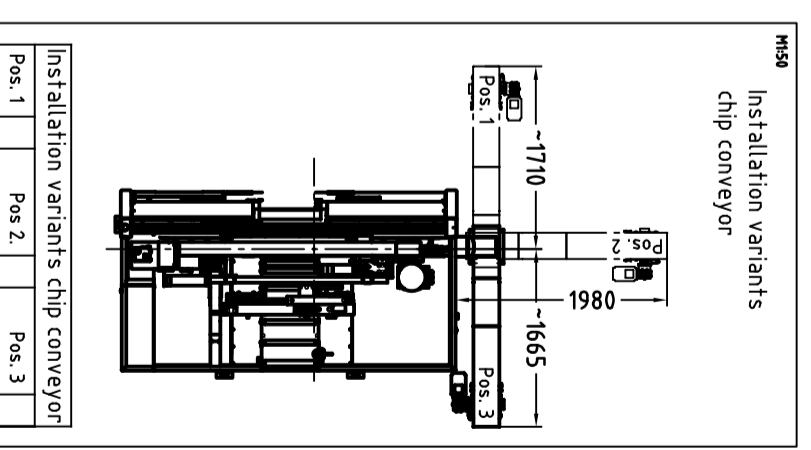
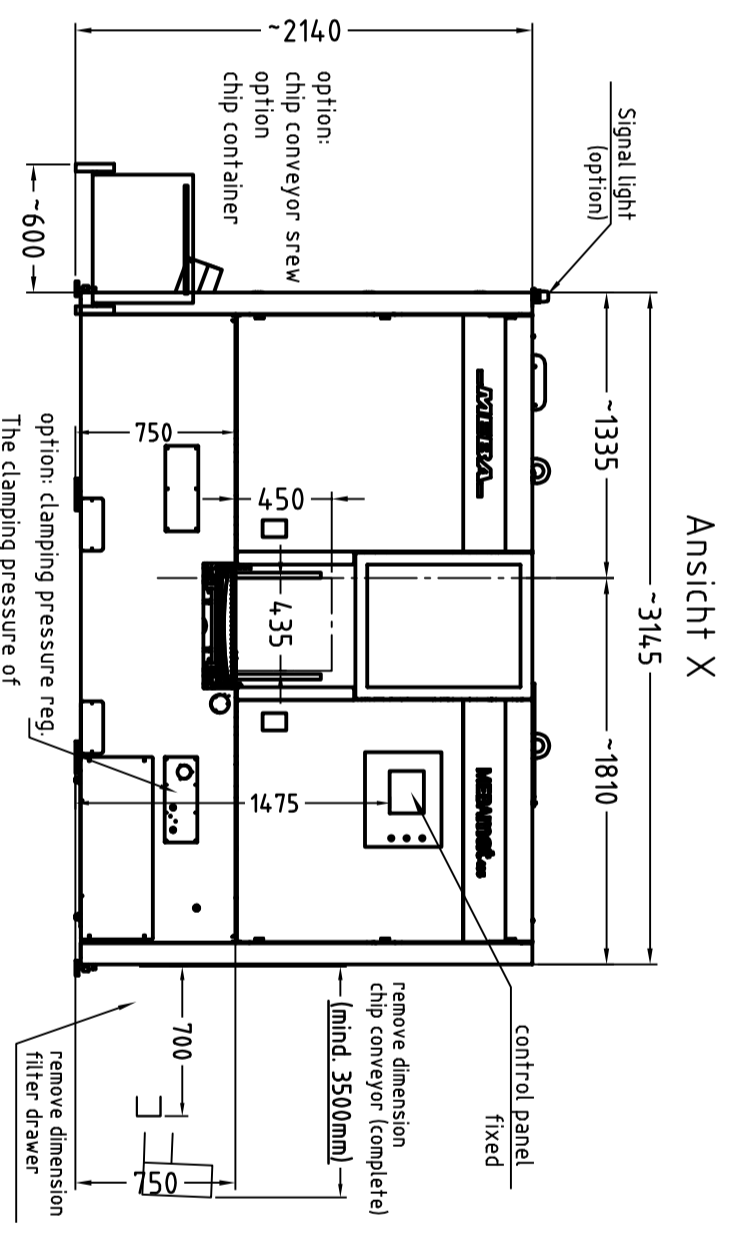
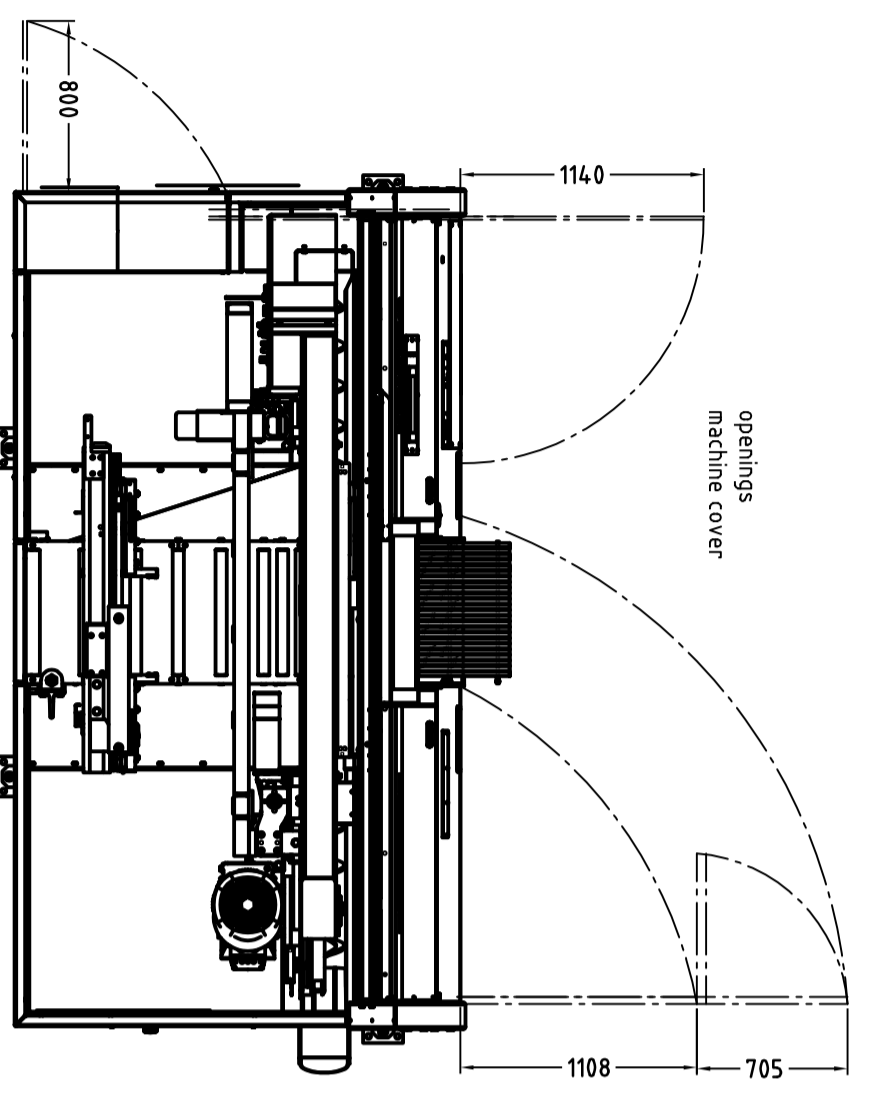
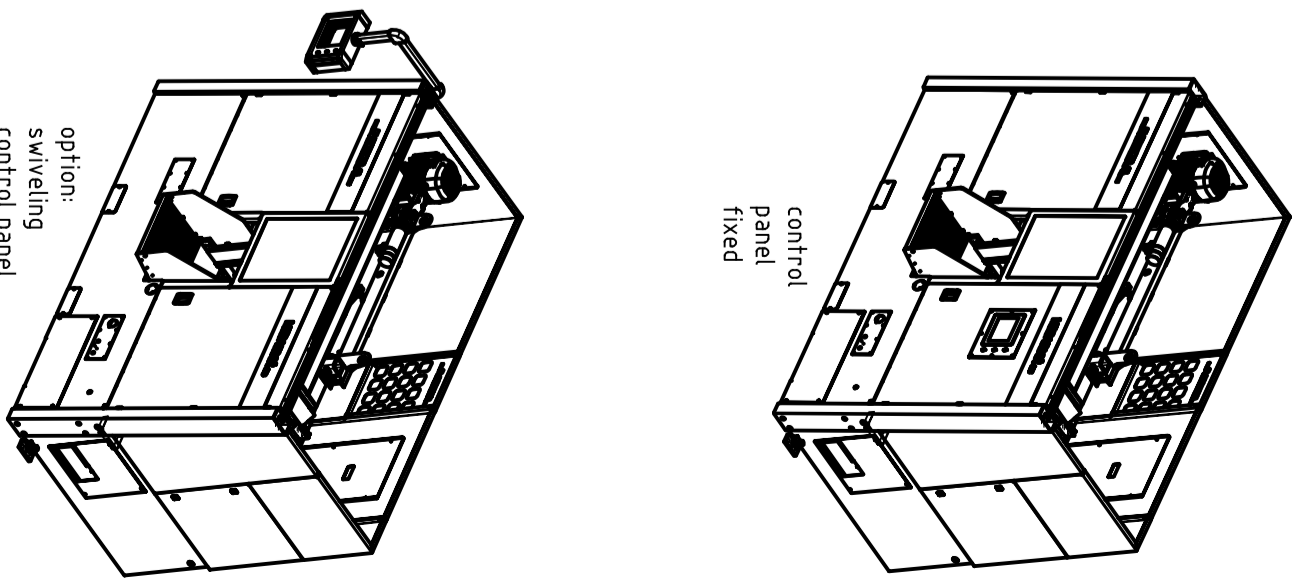
MEBamat 435

optional accessories	yes	no
Material Database		
Pivoting control panel		
LED working light		
MEBA Laser light		
Signal light		
Zero positioning		
Micro sprayer		
Clamping pressure regulation		
Section curve control		
Water-spray pistol		
Multi-bar-clamp		
Material free stroke		
Vertical roller		
Worktable discharge side		
Performance package		
chip conveyor 500mm		
chip conveyor 100mm		
chip container 500mm		
chip container 100mm		
chip container 1000mm		



stock roller outfeed side / specification	
No. (stock roller)	manual / powered
RA 1	
RA 2	
RA 3	
RA 4	
RA 5	
RA 6	

stock roller supply side / specification	
No. (stock roller)	manual / powered
RZ 1	
RZ 2	
RZ 3	
RZ 4	
RZ 5	
RZ 6	



Working height 750mm
(with mounting elements/standard)

*Modem for tele service!
VPN-connecting in the area of control panel cable extensions 2m (wired ready for plug in)
Further information, see Document:
MEBA tele service, Checkliste, Beschreibung, AGB

At the installation location there has to be an at-grade base plate with a niveau tolerance of max. ±20mm. The base plate has to have a sufficient sturdiness for mounting dowels M12x120 and has to resist a pressure load of min. 30kg/cm²
Because of the manufacturing tolerances, the drilling patterns for the fixing dowels can not be determined in advance, they must be drilled during installation!

Please confirm electrical data:

electrical connection
VDEBA → standard of 3x400V / N / PE / 50Hz

different electrical connection (auto transformer might be required!!!)

yes no

Safety equipments (for example enclosures, barriers, etc.) are not included in the offer.
Any equipment needed can be listed by MEBMA in a separate offer.

For horizontal clamping of several bars side by side in one layer:
Minimum passage height: 365mm
When the multi-rod clamping device is dismantled, the maximum passage height is 435mm
Passage when using the multi-rod clamping device
clamping width: min. 140mm/ max. 420mm
clamping height: min. 10mm/ max. passage height 365mm

Increased passage without using the clamping device
(Clamping bar and rod must be dismantled for this)
Clamping height: max. 435mm / clamping width: max. 435mm
In order to achieve the maximum clamping range of the machine of 450x435mm, the multi-rod clamping device must be COMPLETED (see operating instructions)

Option performance package:

- 15kW drive power
- Saw blade: 54x1,3x6380mm or 54x1,1x6380mm
- Cutting speed infinitely variable up to 350m/min
- 2 separately powered chip brushes

rest piece length: 10mm
rest piece length manual: 20mm
multi-bar-clamp (auto): 40mm

customer:
customer number: